

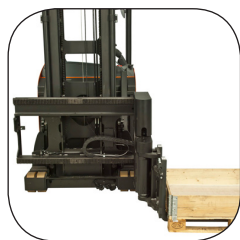


Very narrow aisle truck 1.25 ton

BT vector

R-series

VRE125



Very Narrow Aisle truck

| Truck specifications | | | | | | VRE125 |
|----------------------|---|--|-----------------------|----------------|-----|---------------|
| Identification | 1.1 | Manufacturer | | | | Toyota |
| | 1.2 | Model | | | | VRE125 |
| | 1.3 | Drive | | | | Electric |
| | 1.4 | Operator type | | | | Seated |
| | 1.5 | Load capacity/rated load | Q | kg | | 1250 |
| | 1.6 | Load centre | c | mm | | 600 |
| | 1.9 | Wheelbase | y | mm | | 1692 |
| Weight | 2.1 | Service weight including battery | | kg | | 4685 |
| | 2.2 | Axle load, with load, drive/support arm wheel | | kg | | 1193/4743 |
| | 2.3 | Axle load, without load, drive/support arm wheel | | kg | | 1800/2885 |
| Wheels | 3.1 | Drive/support arm wheel | | | | Vulkollan |
| | 3.2 | Wheel size, front | | mm | | Ø 230x110 |
| | 3.3 | Wheel size, rear | | mm | | Ø 400x160 |
| | 3.5 | Wheels, number front/rear (x = driven wheels) | | | | 4/1x |
| | 3.6 | Track width, front | b ₁₀ | mm | | 1038/1148 |
| | Dimensions | 4.2 | Height, mast lowered | h ₁ | mm | |
| 4.4 | | Lift | h ₃ | mm | | 5595 * |
| | | Lift height | h ₂₃ | mm | | 5675 * |
| 4.5 | | Height, mast extended | h ₄ | mm | | 6750 * |
| 4.7 | | Height of overhead guard | h ₆ | mm | | 2261 |
| 4.8 | | Seat height | h ₇ | mm | | 1100 |
| 4.15 | | Height of lowered forks | h ₁₃ | mm | | 80 |
| 4.19 | | Overall length | l ₁ | mm | | 3175 |
| 4.20 | | Length to face of forks | l ₂ | mm | | 2955 |
| 4.21 | | Overall width | b ₁ | mm | | 1420/1270 |
| 4.22 | | Fork dimensions | s/e/l | mm | | 40/120/1200 * |
| 4.24 | | Fork-carriage width | b ₃ | mm | | 800 * |
| 4.25 | | Width over forks | b ₅ | mm | | 489-793 * |
| 4.31 | | Ground clearance, with load, below mast | m ₁ | mm | | 70 |
| 4.32 | | Ground clearance, centre of wheelbase | m ₂ | mm | | 60 |
| 4.34 | | Aisle width for pallets 800x1200 lengthways | A _{st} | mm | | 1660 * |
| 4.35 | | Turning radius | W _a | mm | | 1954 |
| 4.38 | Distance to swivelling fork pivot from centre of front axle | l ₈ | mm | | 821 | |
| Performance data | 5.1 | Travel speed, with/without load | | km/h | | 10/12 |
| | 5.2 | Lift speed, with/without load | | m/s | | 0,29/0,37 |
| | 5.3 | Lowering speed, with/without load | | m/s | | 0,50/0,48 |
| | 5.9 | Acceleration time, with/without load (0-10m) | | s | | 5,7/5,2 |
| | 5.10 | Service brake | | | | Electric |
| Electric motor | 6.1 | Drive motor rating S2 60 min | | kW | | 7,5 |
| | 6.2 | Lift motor rating S3 15% | | kW | | 11 |
| | 6.4 | Battery voltage, nominal capacity K ₅ | | V/Ah | | 48/620 |
| | 6.5 | Battery weight | | kg | | 956 |
| | 6.6 | Energy consumption acc to VDI cycle ¹⁾ | | kWh/h | | |
| | Other | 8.1 | Type of drive control | | | |
| 8.4 | | Sound level at the driver's ear according to EN 12 053 | | dB(A) | | 65 |

1) Contact your supplier for information.

* Other dimensions available.

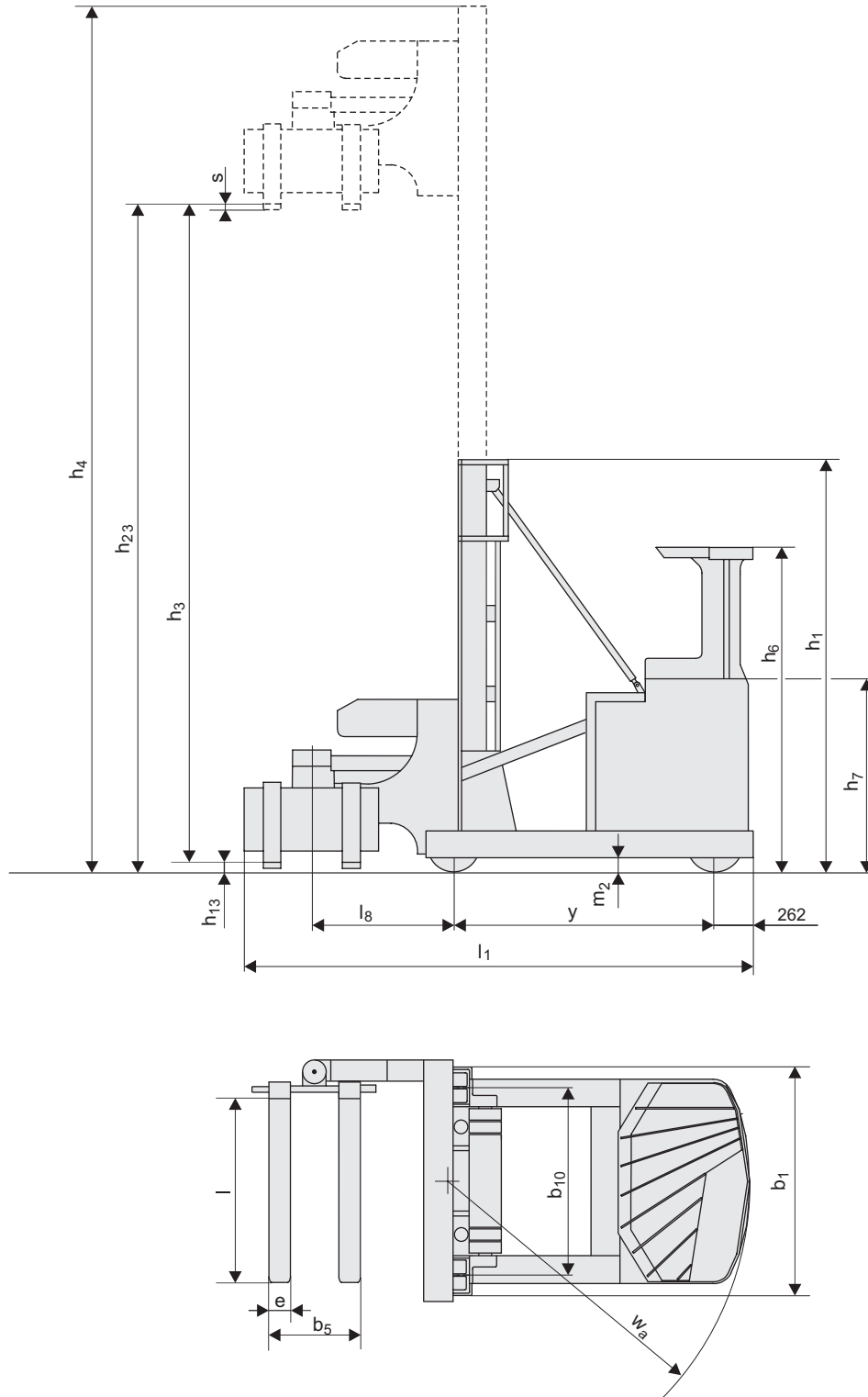
All data are based on table configuration. Other configurations may give other values.

Truck performance and dimensions are nominal and subject to tolerances.

Toyota Material Handling Manufacturing Sweden AB products and specifications are subject to change without notice.

Mast dimensions

| Mast | | | | Duplex Telescopic | | | | | |
|--------|-----------------------|----------|----|-------------------|------|------|------|------|------|
| VRE125 | Lift height | h_{23} | mm | 3600 | 4000 | 4850 | 5650 | 6300 | 6700 |
| | Lift | h_3 | mm | 3520 | 3920 | 4770 | 5570 | 6220 | 6620 |
| | Height, mast lowered | h_1 | mm | 2920 | 3120 | 3553 | 3953 | 4487 | 4687 |
| | Height, mast extended | h_4 | mm | 4685 | 5085 | 5950 | 6750 | 7618 | 8018 |





Truck features:

- Total view concept
- Car pedal layout
- Automatic parking brake
- TLC, Transitional Lift Control
- 360° steering
- Simultaneous hydraulic control
- Single function levers or multi function control
- Heavy duty drive unit and gear box



TP - Technical Publications, Sweden — 748450-040, version 3, 1604

TOYOTA

MATERIAL HANDLING

TOYOTA MATERIAL HANDLING IN EUROPE, MANAGING THE TOYOTA AND BT MATERIALS HANDLING BRANDS IN EUROPE

